

# WinDesign

230V version

technical data



amptown lichttechnik GmbH  
wandsbeker straÙe 26  
D-22179 hamburg, germany

fon +49 (0)40 - 64 60 04 - 46  
fax +49 (0)40 - 64 60 04 - 45

technik@amptown-lichttechnik.de  
[www.amptown-lichttechnik.de](http://www.amptown-lichttechnik.de)

**technical data**

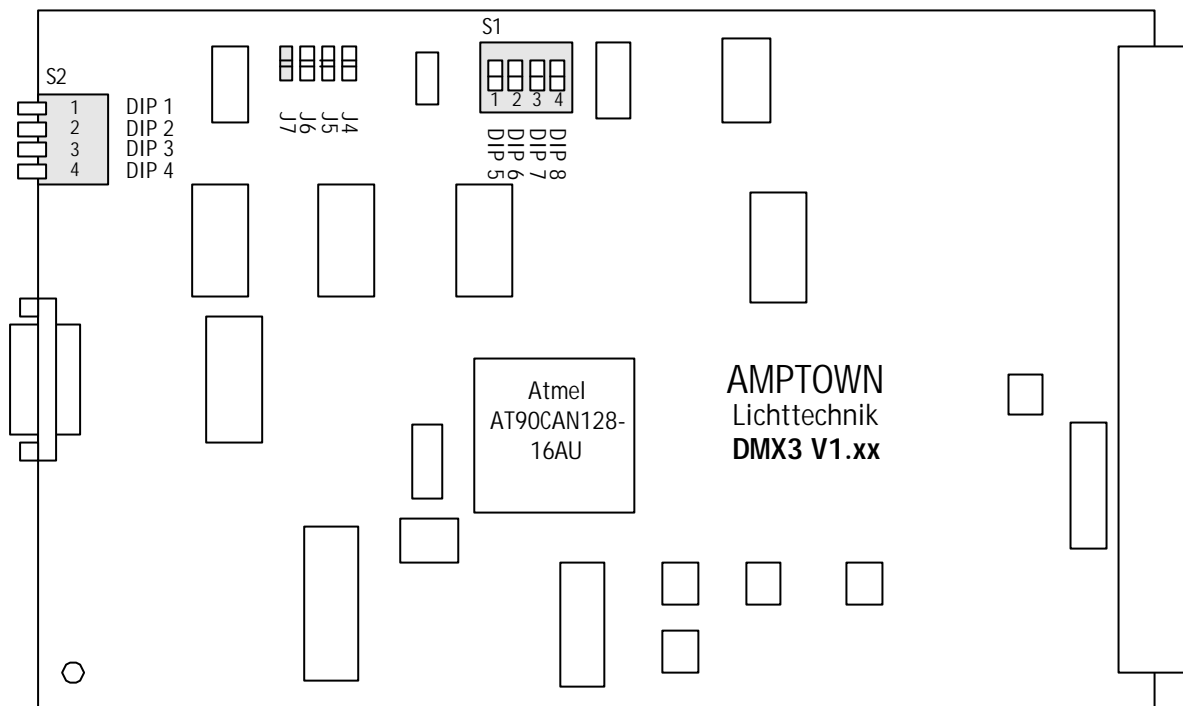
- power supply 230 V - 50/60 Hz
- power consumption 300 VA max.
- mains connection 1,5 m of H07RN-F 3 G 1,5
- max. fan load 1 A
- input signal DMX 512/1990 - 6 channels
  - in-port XLR 5-pin, male
  - thru-port XLR 5-pin, female
- movement pan= 340°  
tilt = 230°
- max. ambient temperature  $t_a = 40\text{ °C}$
- weight 25 kg
- working position base up or base down (hanging or standing)
- further indicators via 16 character LC-diplay
- all settings menu-driven via 4 buttons

## DMX channel settings

02/09

Channel	Name	DMX	%	hex	Function
1	Movement pan (coarse)	0	0%	00 h	horizontal -170°
		127	50%	7F h	horizontal 0°
		255	100%	FF h	horizontal +170°
2	Movement pan (fine)	0	0%	00 h	
		127	50%	7F h	
		255	100%	FF h	
3	Movement tilt (coarse)	0	0%	00 h	vertical -115°
		127	50%	7F h	vertical 0°
		255	100%	FF h	vertical +115°
4	Movement tilt (fine)	0	0%	00 h	
		127	50%	7F h	
		255	100%	FF h	
5	Fan speed	0	0%	00 h	Fan off
		255	100%	FF h	Fan on, full speed
6	auxiliary	0...201	0...78,8%	00...C9 h	no change
		202	79,2%	CA h	RESET Servo (pan / tilt)
		203...255	79,6...100%	CB...FF h	no change

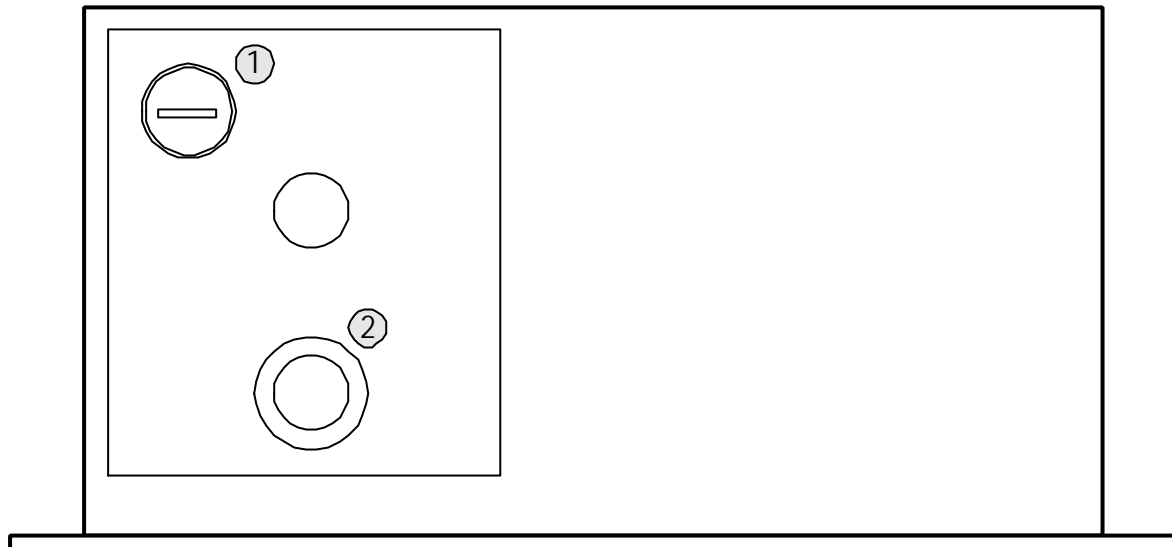
**DMX PCB:**



Dip switch (S2) in front of the DMX PCB

DIP	function	on	off
1			
2	faulty input	activ	passiv
3			
4	if no DMX-signal	hold values	default values

## wiring and control



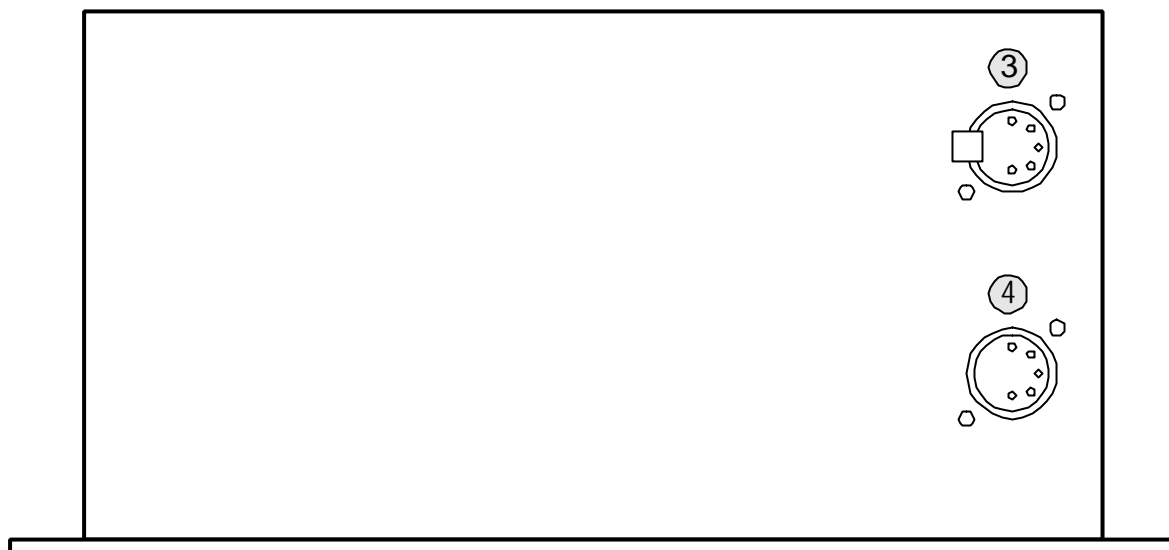
① fuse: 2 x 20 mm, 2,5 A, T

② mains power supply: 230V - 50/60Hz

L : live - black (or brown)

N : neutral - blue

PE : protection earth - green/yellow



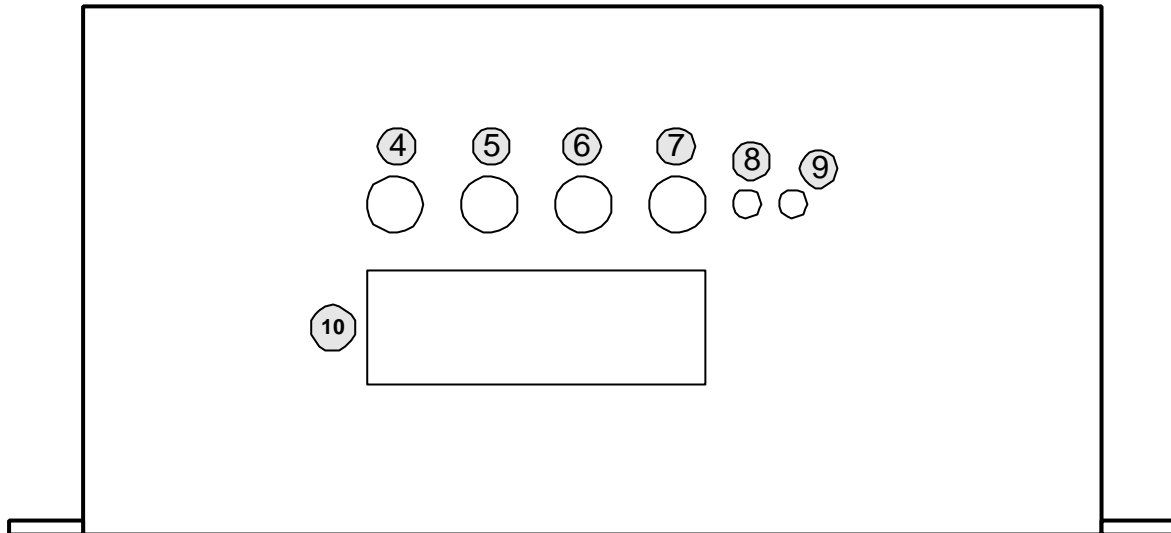
③ DMX thru DMX output - 5 pin XLR

pin 1: GND/shield  
 pin 2: DMX data -  
 pin 3: DMX data +  
 pin 4: not connected (n.c.)  
 pin 5: n.c.

We recommend fitting the DMX-receiver at the end of the line with a 120 Ohm termination resistor.

④ DMX in DMX input - 5 pin XLR

pin 1: GND/shield  
 pin 2: DMX data -  
 pin 3: DMX data +  
 pin 4: n.c.  
 pin 5: n.c.



④ - ⑦ display menü buttons

⑧ DMX Status LED: green LED: DMX-Data ok yellow LED: DMX-Data faulty

⑨ FAN Dimmer LED: full green: FAN full rotation LED off: FAN off

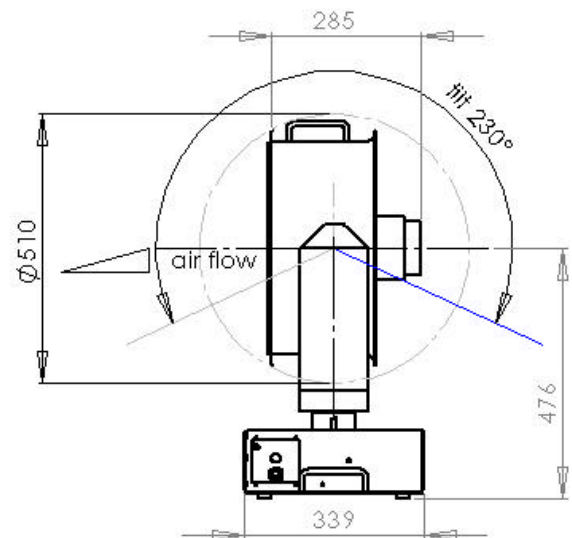
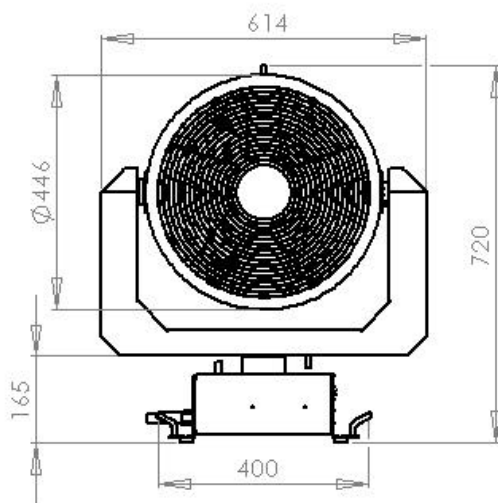
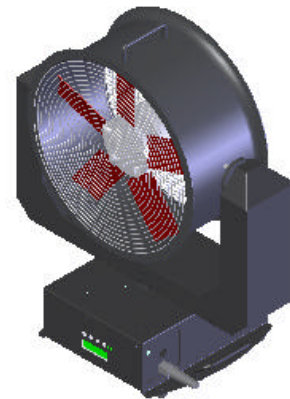
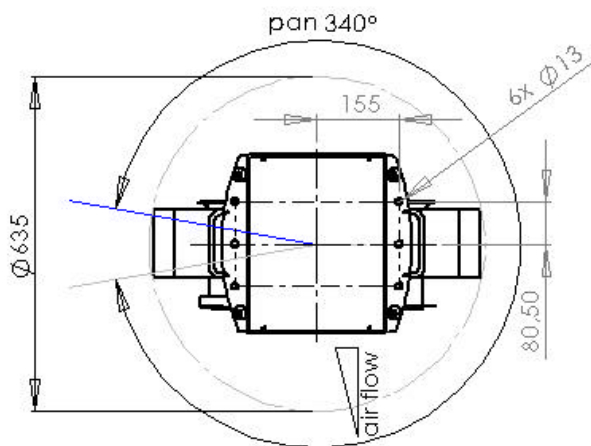
⑩ 2 x 16 character LC-display

## Display menü tree

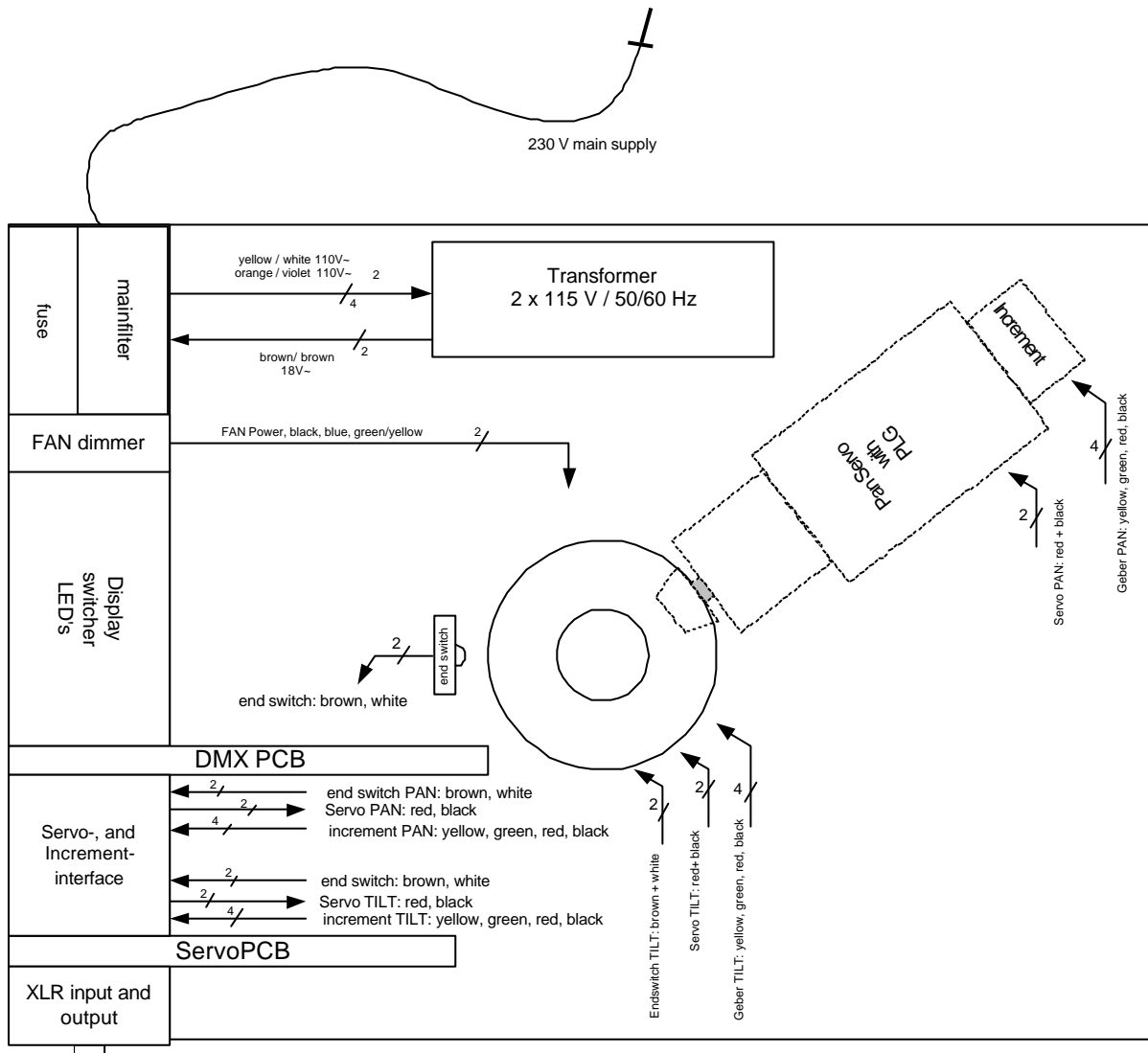
main menü	choose menü	range	functions
DMX ↑ ↓	Set DMX Adress	001...507	set the DMX startadress
	View DMX Receive		show the received DMX values
	View Yoke Time	0...71582788h	show the yoke operation time (deletable)
	View Total Time	0...71582788h	show the total operation time
	Softwareversion	Vx.xx	show the DMX software version
SERVO ↑ ↓	View Error Ref.PAN	0...255	show the sum of faulty PAN initialisation
	View Error Ref.TILT	0...255	show the sum of faulty TILT initialisation
	Servo Overtemp.	0...255	show the sum of overtemperature
	Switch XY Status	0 or 1	show the end switch status of PAN + TILT
	Servo Soft.Vers.	Vx.xx	show the SERVO software version
TEST ↑ ↓	PAN Coarse	0...255	set PAN coarse
	PAN fine	0...255	set PAN fine
	TILT Coarse	0...255	set TILT coarse
	TILT fine	0...255	set TILT fine
	FAN speed	0...255	set the FAN rotation
	PAN Automove	Y/N	set the PAN automatic move
	TILT Automove	Y/N	set the TILT automatic move
	PAN+TILT Move	Y/N	set the PAN/TILT automatic move
	ALL Standalone	Y/N	set the selftest
RESET ↑ ↓	Reset SERVO	Y/N	reset Servo, PAN/TILT initialisation
	del. Servo Error	Y/N	delete the Servo error stack
	clear Yoke Time	Y/N	clear the operation time

## Drawings

WinDesign MK2  
 Dimensions (mm)  
 03.12.2008



block diagram



## Declaration of conformity

Manufacturer: Amptown Lichttechnik GmbH  
Wandsbeker Str. 26  
D-22179 Hamburg

Germany

Product name: Controlite

Type of Product: WinDesign MK2

We declare that the products listed above meet the electromagnetic compatibility requirements of the European Commission Directive and comply with the requirements of the Directive by meeting the following standards:

Safety: BGV C1

EMC: EN 55103-1  
EN 55103-2  
EN 50081-2  
EN 50082-2

Hamburg, 10.02.09

---

Dipl.-Ing.(FH) Stefan Balck