

AD-LC6 RGB

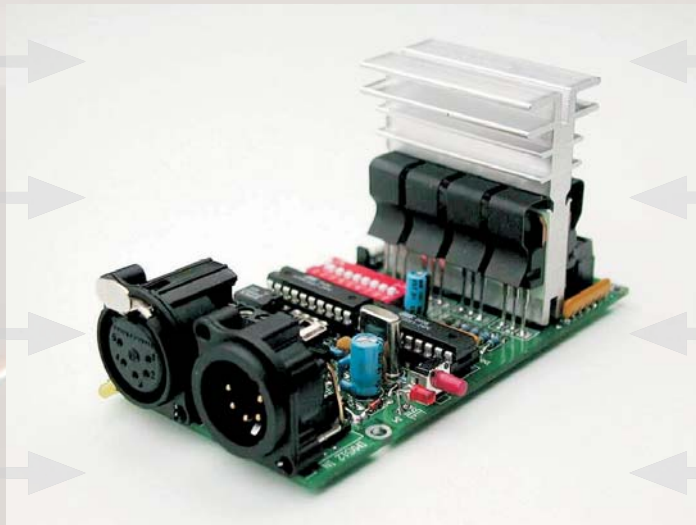
Compact 6 channel DMX-512 LED Driver

**320 Watt HIGH-POWER
6 CH LED driver**

*DMX-512/1990 input
(several connector options)*

*Solid-state fully protected
high-current outputs*

*High refresh-rate
(optional studio firmware)*



*Smooth brightness
control (SmartWave™)*

*Several stand-alone
sequence modes*

*Optional remote control
(MENU and address settings)*

*Very compact design
with many options*

Very compact design: 105 x 57 x 55 mm !

SPECIFICATIONS:

- 6 channel high-power LED-driver
100 Watt each channel, total output 320 Watt
- DMX-512/1990 input with DIP-switch address
settings (channel 1 .. 507)
- Several DMX-512 input connector options:
XLR-3 / XLR-5 / Board connector
- Smooth brightness control (SmartWave™)
- High refreshrate (200 Hz standard)
Studio-firmware has adjustable refreshrate
(from 50 .. 2000 Hz)
- Optional extension-board with MENU-controlled
address-settings and standalone functions
- 6 high-current (20 Amp) fully protected output
stages with short-circuit, over-temperature,
over-voltage and over-current protections
- Powersupply:
 - Standard 24VDC (stabilized) 320 Watt max.
(for standard LED-lighting)
 - Accepts 12 .. 48 VDC input voltage
(for different kind of applications)
- Dimensions: 105 x 57 x 55 mm

This very reliable 6 channel RGB-LED driver is a cost effective design for highly integrated complex RGB-LED controlling.

It's compact design, high current fully protected output stages and smooth brightness control (SmartWave™) finds his applications in installations where many high-power LED-drive channels are needed (e.g. Theater/Disco/TV-Studio applications).

Through it's flexible design with several useful options (like input connector, software, extension-board) this AD-LC6 LED-driver board is very easy to install.

If you need a lot more channels but with lower output current (e.g. RGB LED display or **dancefloor** applications) please check our AD-LC48 48 channel LED-driver (6 Watt / channel).

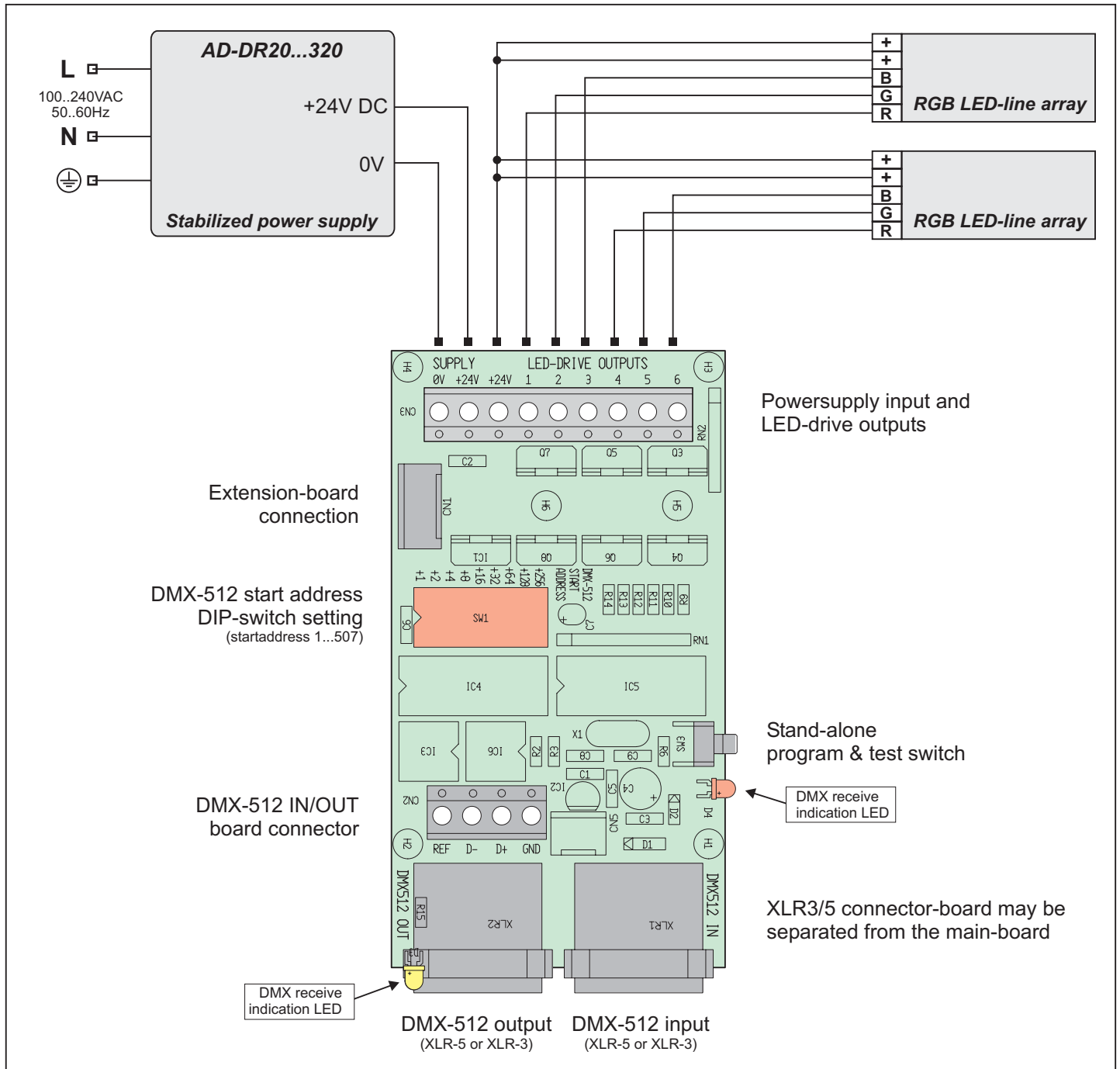
TDE light-tech produces a wide range of RGB LED drivers and controllers but we also produce RGB LED-lighting with one of the brightest most payable RGB LED-Line arrays on the market!
Please check our website for more information.



Check our range of RGB LED-line arrays at: www.dimmer.nl

AD-LC6 RGB

Compact 6 channel DMX-512 LED Driver



Order No:	Type	Outputs	Total output Power	Max. power each channel	Interface	Interface connections
100.50.06	AD-LC6 LED driver	6 channels	320 watt	100 watt	DMX-512 interface	XLR-5
100.50.07	AD-LC6 LED driver	6 channels	320 watt	100 watt	DMX-512 interface	XLR-3
100.50.08	AD-LC6 LED driver	6 channels	320 watt	100 watt	DMX-512 interface	boardconnector
100.50.10	AD-LC48 LED driver	48 channels	320 watt	6 watt	DMX-512 interface	XLR-5
100.50.00	AD-LC3 LED driver RGB-effectmodes, stand-alone programs, MENU controlled LED-display	4 channels	320 watt	200 watt	DMX-512 / RS485 / RS232 / 0..10V analog	DIN-rail assembly